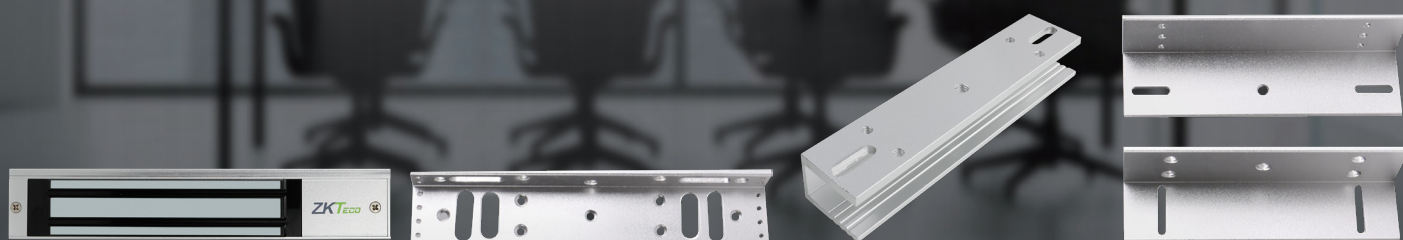


# Electromagnetic Lock

## DM Series



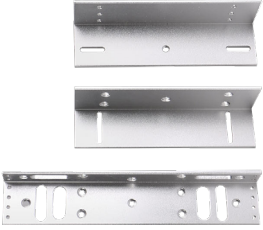



**Electromagnetic locks** apply the principle of electromagnetism. When the electric current passes through the silicon steel sheet, the electromagnetic lock will produce a strong suction force to tightly attract the iron plate to lock the door.

A small electric current will produce a great magnetic force. When users turn off the power of the electromagnetic lock, it will lose its suction, so that users can open the door.

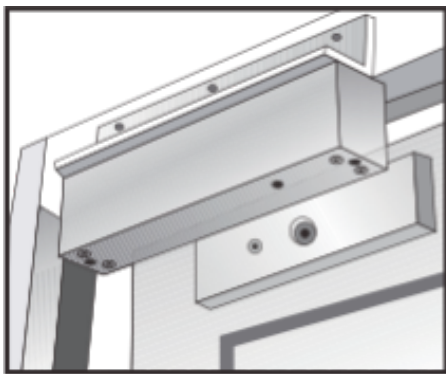
### Specifications

Model Series	AC05-DM280H
Photo	
Operating Voltage	DC12V / 24V
Operating Current	DC12V / 400mA ± 10% DC24V / 230mA ± 10%
Operating Temperature	-20°C ~ +60°C
Interface	12V, GND, NO, COM, NC
Tensile Force Range	200KG ± 10KG
Dimensions (W*H*D)	250*46.8*27.4mm
Gross Weight	1.75KG
Dimensions(mm)	
Mounting Brackets	DM-280ZL / DM-280L / DM-280Z / DM-280U

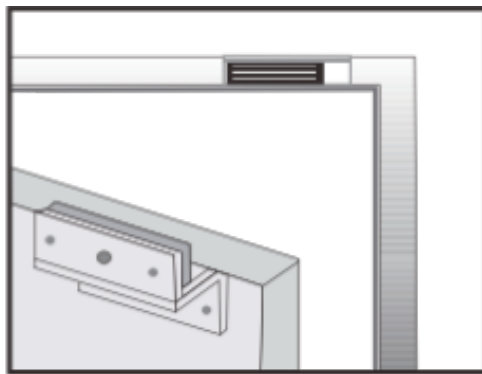
## Bracket

DM-280ZL	DM-280L	DM-280Z	DM-280U
			
Z Bracket: 180L x 44.8W x 45.2H mm L Bracket: 250L x 48W x 28.5H mm	250L x 48W x 28.5H mm	180L x 44.8W x 45.2H mm	180L x 40W x 25.5H mm
Suitable for inward opening door	Suitable for outward door openings	Suitable for door frames where magnetic locks cannot be installed directly	Suitable for frameless glass doors

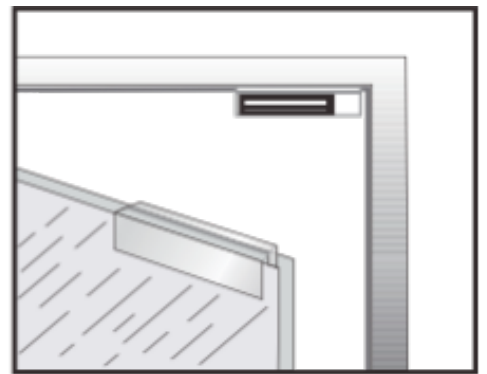
## Installation Instruction



Demonstration of L



Demonstration of ZL



Demonstration of UL

